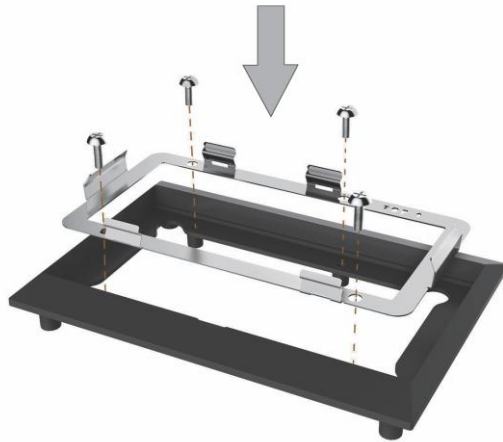
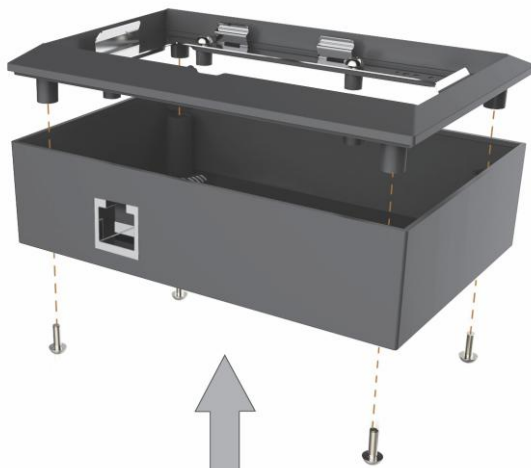


## INSTALL INSTRUCTION BOX GX

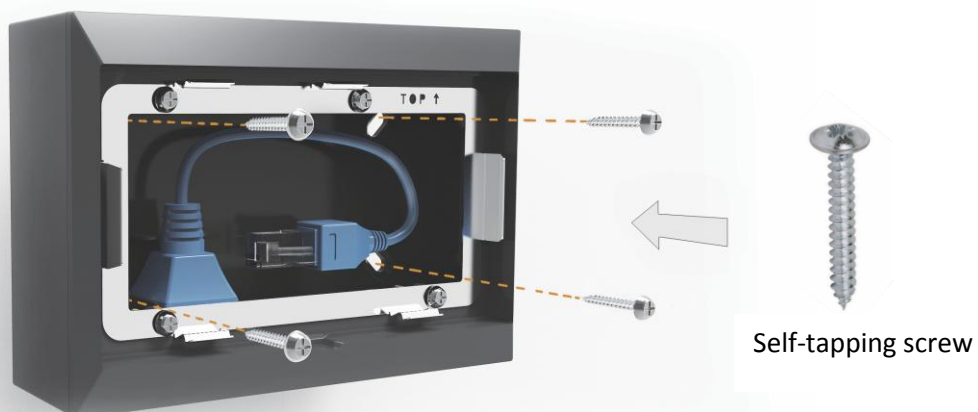
**Step 1:** assemble the metal frame to the top plastic part of wall mounting box (4 screws)



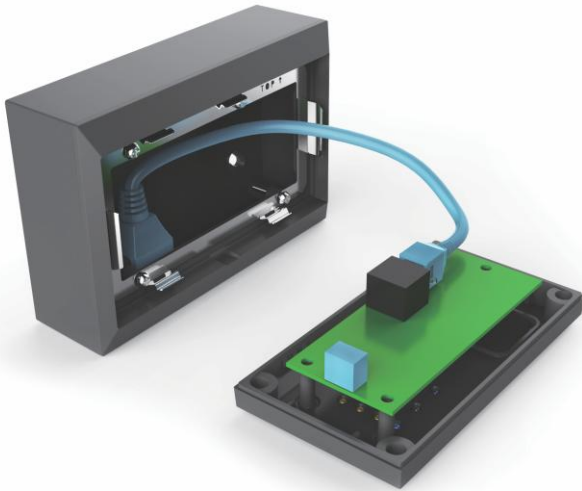
**Step 2:** tighten the top side to bottom side plastic part by the 4 screws



**Step 3:** assemble the wall mounting box to the wall



**Step 4:** connect the cable (blue) to the control panel



**Step 5:** place the front panel to the wall mounting box



**Step 6:** connect the remote control to the product by inserting the cable to the wall mounting connector

